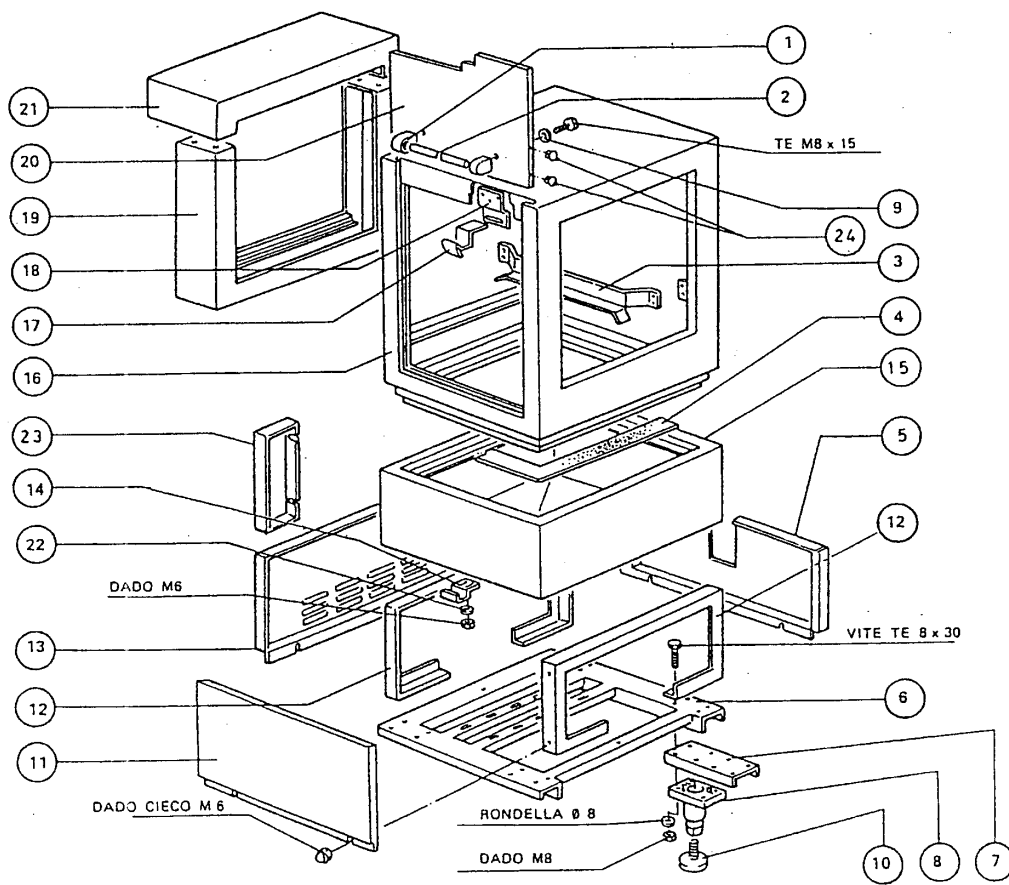


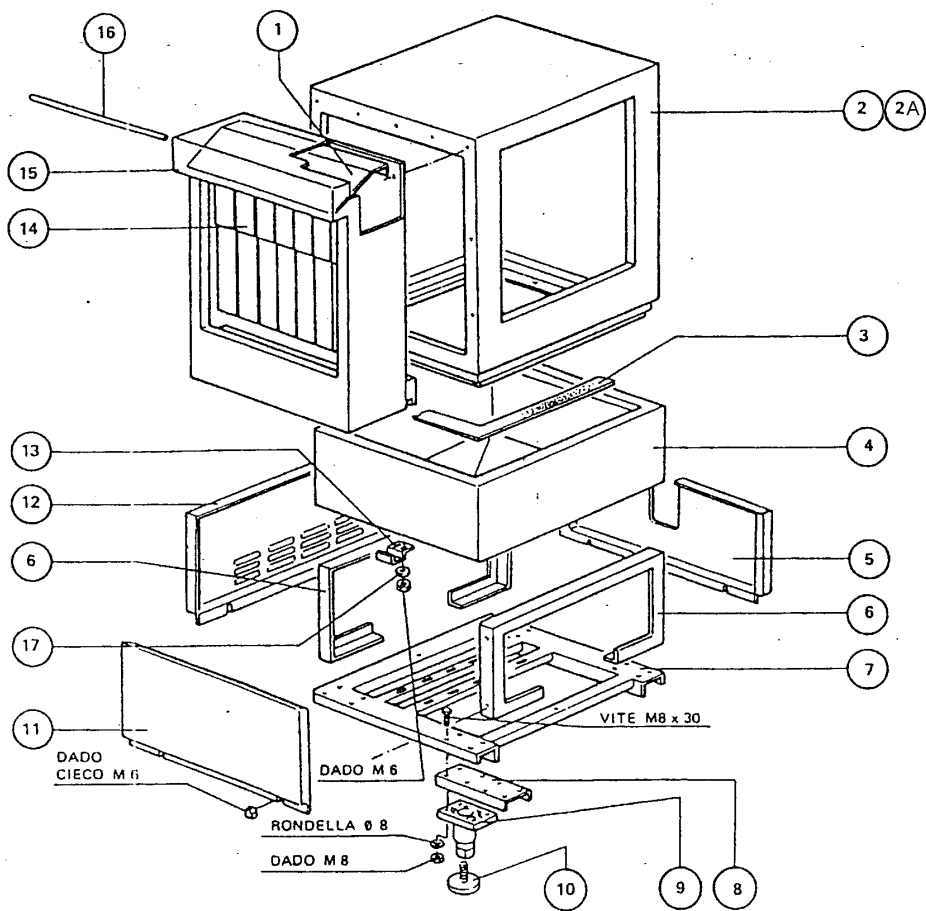
2 - Prewash Hood



2 - Prewash Hood

CODE	DESCRIPTION
160527	PLUG 14,5X2X8
160805	GASKET D.8
190129	HANDLE SUPPORT SE NE GREY
200402	SELF-ADHES.RUBB.SPONGE STRIPS
210404	BLACK RUBBER FOOT S90 NE SE
260530	STAINL.ST WASHER 7X22X2
320348	BASE TOP FOR SPLASH HOOD
320641	PLATE
320973	DOOR
321765	GUIDE
330760	DOOR CATCH S3Ø-S90.SNL
330778	BRACKET
331012	HANDLE 412 MM DOOR SE NE G115
340174	HOOD
340187	HOOD 600
350297	PANEL
351127	SIDE PANEL
351128	PANEL
351130	BRACKET FOR PANEL S-SE
351131	PANEL
351407	PANEL
361018	FRAME
361020	FRAME
620222	COMPLETE ALUMINIUM LEGS

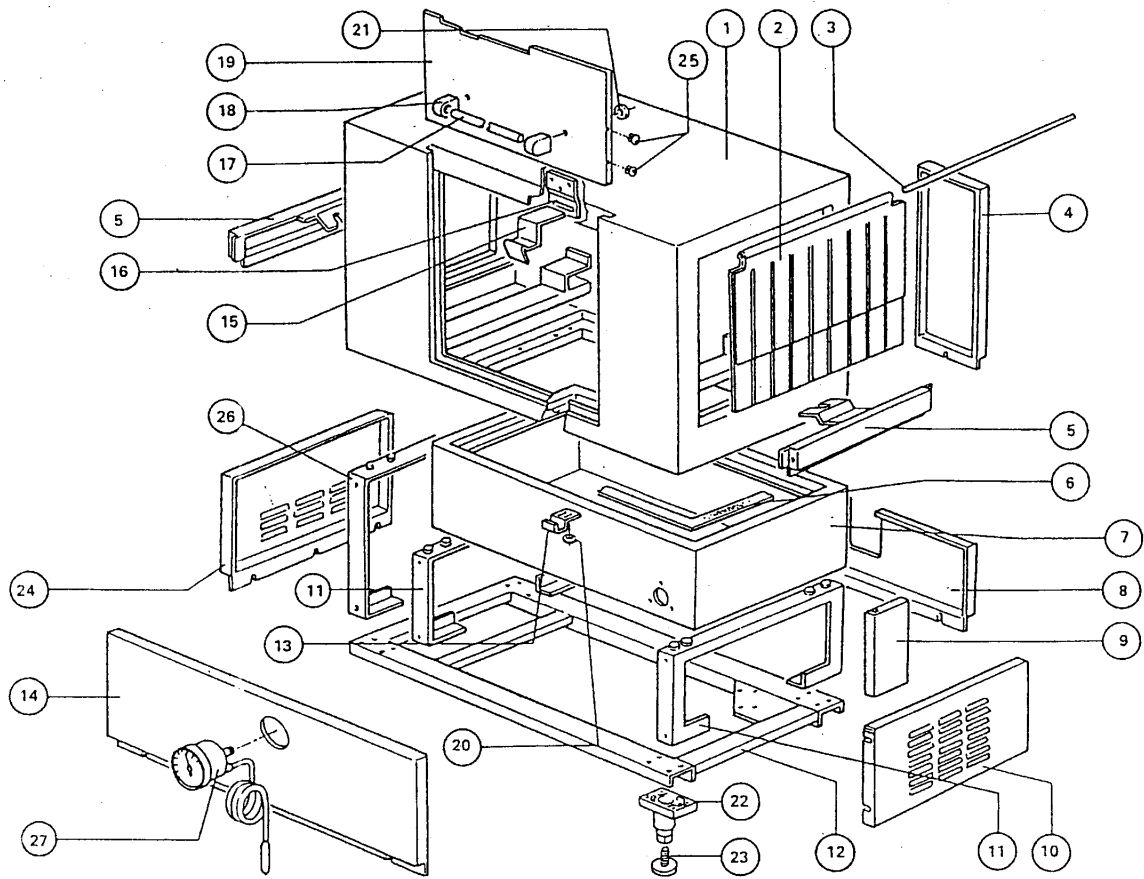
3 - Corner Prewash Hood



3 - Corner Prewash Hood

CODE	DESCRIPTION
190916	CURTAIN ENTRY S2900-590X480 CO
200402	SELF-ADHES.RUBB.SPONGE STRIPS
210404	BLACK RUBBER FOOT S90 NE SE
260530	STAINL.ST WASHER 7X22X2
320136	-TEGOLINO X CAPOT PARASP.S NUO
320641	PLATE
340188	HOOD
340189	HOOD0
341236	SHAFT FOR CURTAIN S2900 CORNER
341414	TANK
351127	SIDE PANEL
351128	PANEL
351129	PANEL
351130	BRACKET FOR PANEL S-SE
361018	FRAME
361020	FRAME
620222	COMPLETE ALUMINIUM LEGS

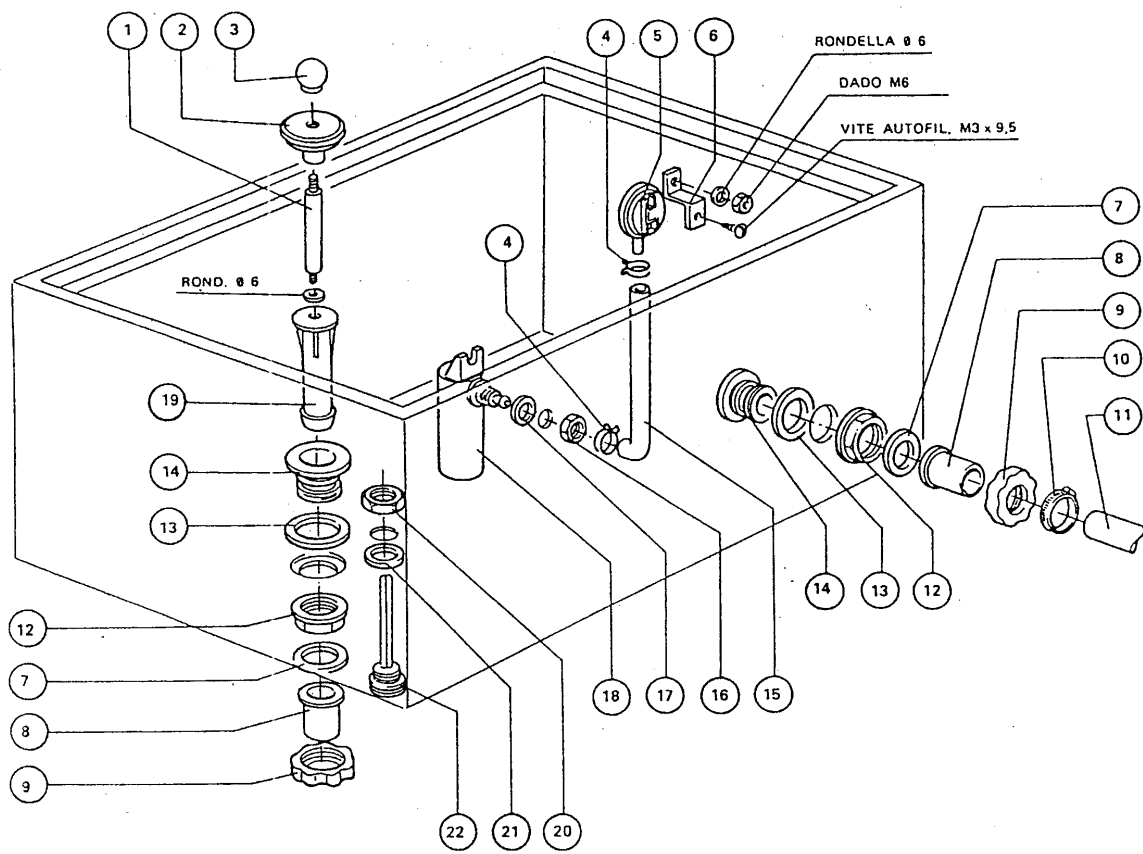
4 - Wash Hood



4 - Wash Hood

CODE	DESCRIPTION
160527	PLUG 14,5X2X8
160805	GASKET D.8
190129	HANDLE SUPPORT SE NE GREY
190906	CURTAIN IN/OUT 620X480
200402	SELF-ADHES.RUBB.SPONGE STRIPS
210404	BLACK RUBBER FOOT S90 NE SE
260530	STAINL.ST WASHER 7X22X2
320976	DOOR
330760	DOOR CATCH S3Ø-S90.SNL
330778	BRACKET
331012	HANDLE 412 MM DOOR SE NE G115
331440	PANEL
340186	WASH HOOD
340422	SHAFT FOR CURTAIN AC-ACR
341413	WASH TANK 1300
350271	PANEL
351123	FRONT PANEL WASH S2200-2900
351124	PANEL (350297)
351125	PANEL
351126	PANEL
351127	SIDE PANEL
351130	BRACKET FOR PANEL S-SE
361015	FRAME
361020	FRAME
361023	FRAME
450905	CAPIL.THERMOMETER D.52 1,5M
620222	COMPLETE ALUMINIUM LEGS

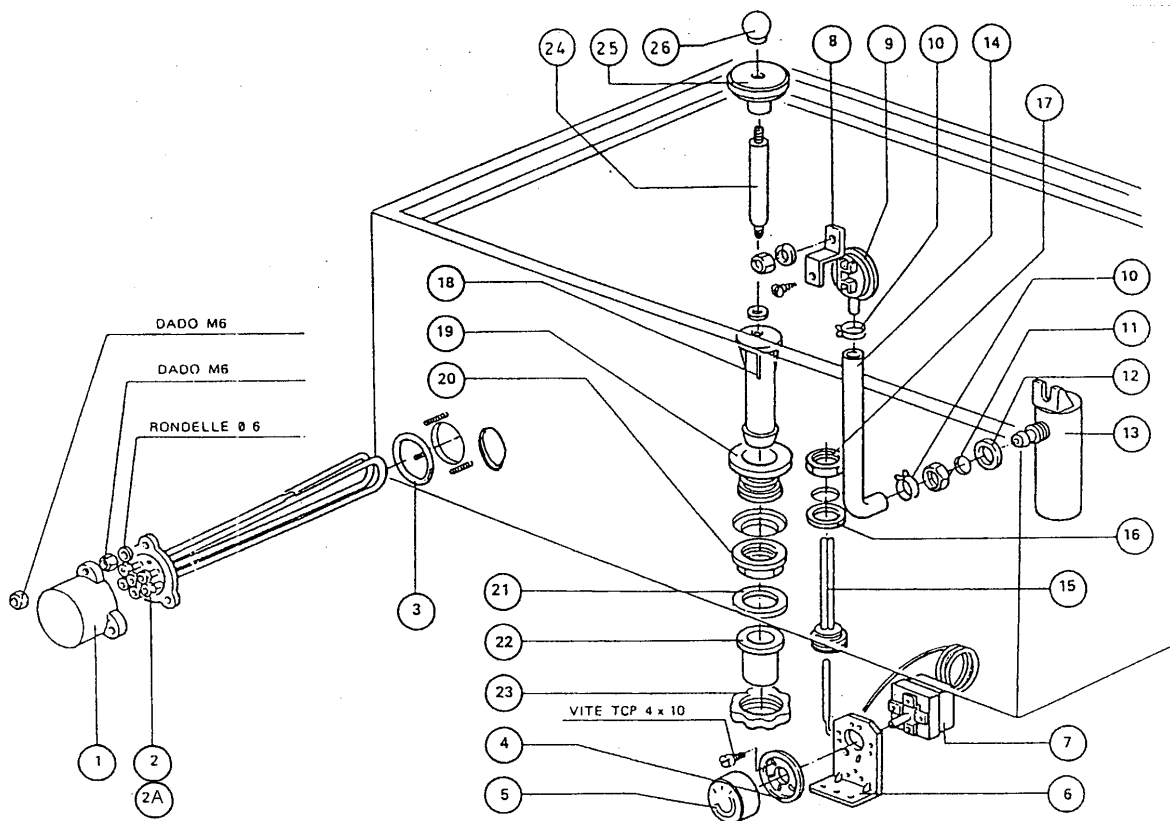
5 - Prewash tank components



5 - Prewash tank components

CODE	DESCRIPTION
130609	1 LEVEL PRESSURE SWITCH 110-70
160201	ELBOW F.TANK INLET MOPLN
160301	DRAIN OUTLET 1"1/2 C-S-N
160738	COVER PLATE F.OVERFLOW PIPE S2
161301	AIR TRAP F2 C34-F45
180102	DRAIN PIPE NUT 1"1/2 F45-55
180109	LOCK NUT 1 1/2"
180126	HANDLE F.OVERFLOW PIPE SNL
180709	OVERFOLW PIPE H.201
200105	RUBBER HOSE 50X60
200353	PRESS.SWITCH HOSE B23-10-1-2-C
200410	DRAIN OUTL.WASH.1 1/2"65X47X2
200412	GASKET DRAIN 1 1/2" 45X33X3
200415	AIR TRAP GASKET -F2 18,5X10X3
260407	STAINLESS STEEL NUTS D10 UNI 5
270101	HEXAGON LOCK NUT 1/2"
341237	SPACER OF OVERFLOW PIPE S2900
350774	BRACKET
450125	ELASTIC CLAMP D. 10,4X9,8
450135	CLAMP FE ZN. 44-56 H=12,2
450516	THERMOSTAT SHIELD FOR 2 TERMOS
460502	GASKET 30X21X2

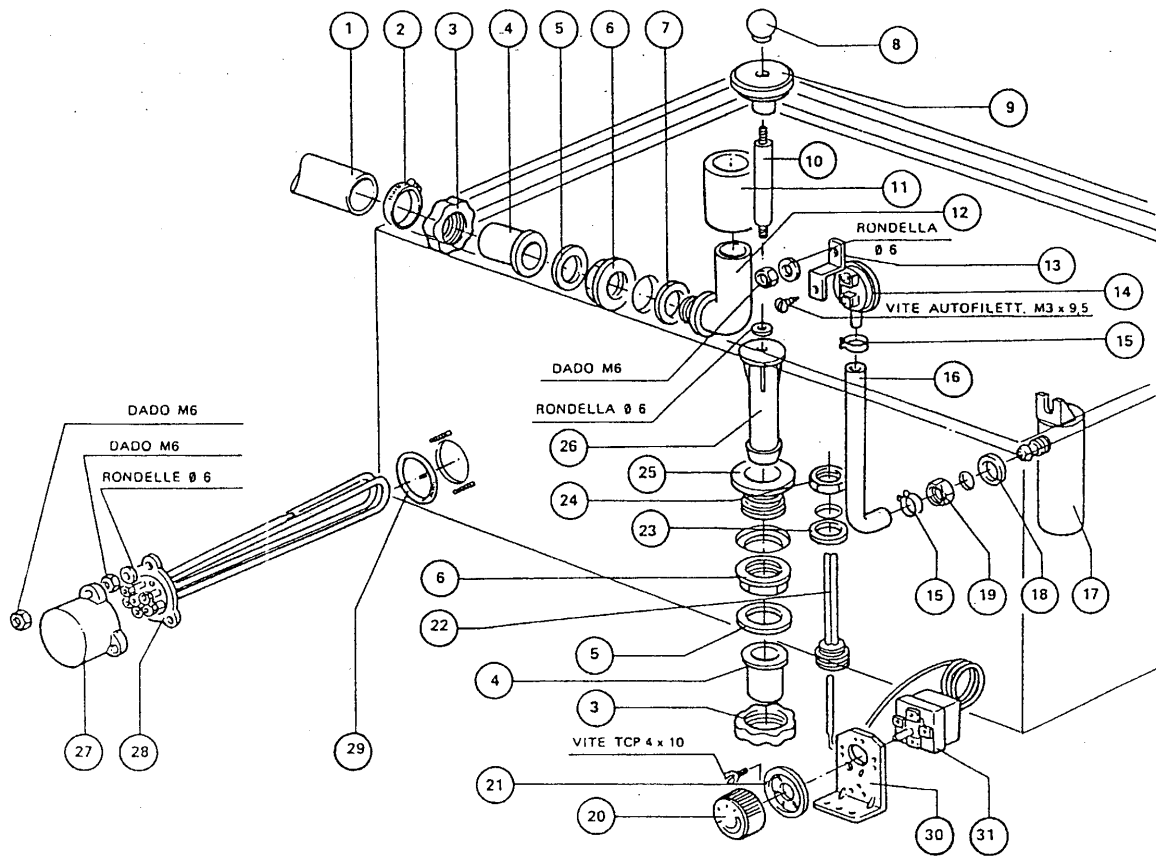
6 - Wash Tank Components



6 - Wash Tank Components

CODE	DESCRIPTION
110349	HEAT.ELEMENT 6000W 230/400V
110362	HEAT.ELEMENT 9000W 220/380V
120501	THERMOSTAT 30/90°C
130609	1 LEVEL PRESSURE SWITCH 110-70
160201	ELBOW F.TANK INLET MOPLN
160738	COVER PLATE F.OVERFLOW PIPE S2
161102	ELEMENT COVER MOPL.
161301	AIR TRAP F2 C34-F45
180102	DRAIN PIPE NUT 1"1/2 F45-55
180126	HANDLE F.OVERFLOW PIPE SNL
180706	OVERFLOW STANDPIPE S3 - S NEW
191040	FRAME F.THERMOSTAT KNOB
200353	PRESS.SWITCH HOSE B23-10-1-2-C
200412	GASKET DRAIN 11/2" 45X33X3
200415	AIR TRAP GASKET -F2 18,5X10X3
200815	O-RING F. HEAT.ELEM.
260407	STAINLESS STEEL NUTS D10 UNI 5
270101	HEXAGON LOCK NUT 1/2"
330725	STANDARD BRACKET F.SOLEN.VALV
341237	SPACER OF OVERFLOW PIPE S2900
350774	BRACKET
450125	ELASTIC CLAMP D. 10,4X9,8
450315	KNOB F. THERMOSTAT 90°
450516	THERMOSTAT SHIELD FOR 2 TERMOS
460502	GASKET 30X21X2

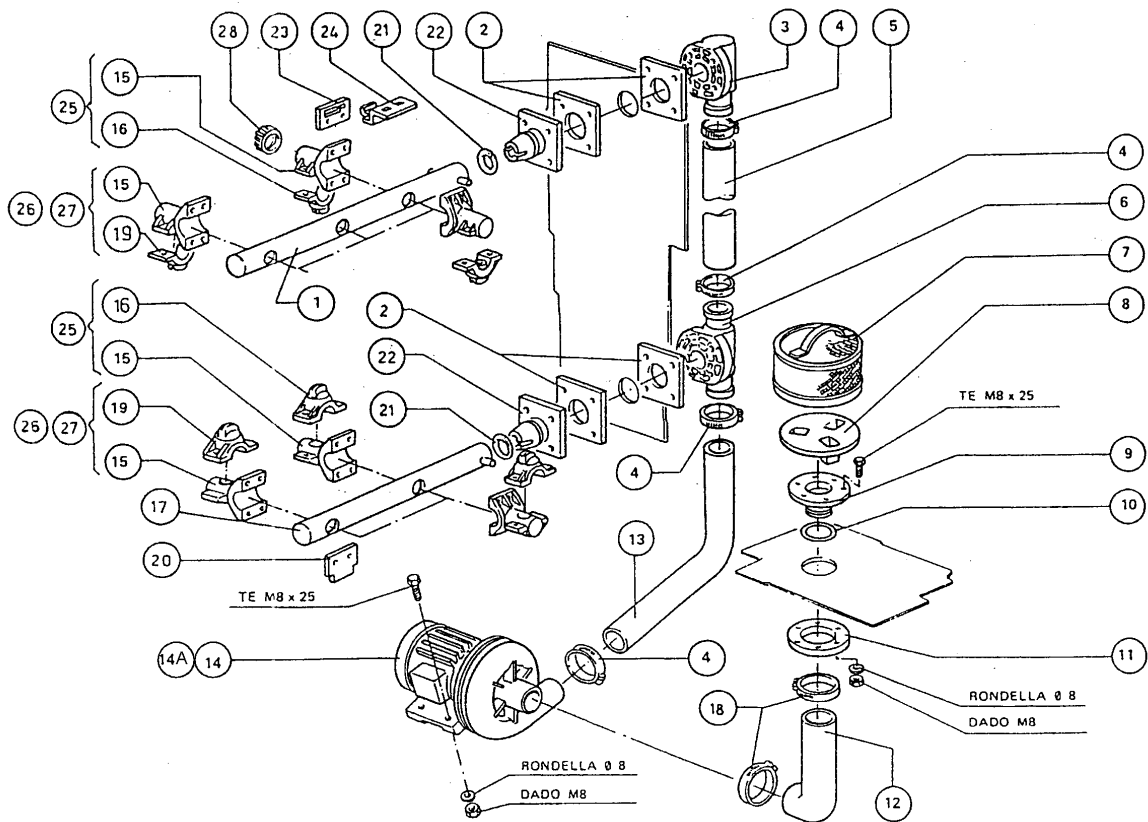
7 - Wash Tank Components



7 - Wash Tank Components

CODE	DESCRIPTION
110349	HEAT.ELEMENT 6000W 230/400V
120501	THERMOSTAT 30/90°C
130609	1 LEVEL PRESSURE SWITCH 110-70
160114	ADJUST.OVERFLOW-PIPE/TANKS S3Ø
160201	ELBOW F.TANK INLET MOPLN
160301	DRAIN OUTLET 1"1/2 C-S-N
160738	COVER PLATE F.OVERFLOW PIPE S2
161102	ELEMENT COVER MOPL.
161301	AIR TRAP F2 C34-F45
180109	LOCK NUT 1 1/2"
180126	HANDLE F.OVERFLOW PIPE SNL
180706	OVERFLOW STANDPIPE S3 - S NEW
190308	OVERFLOW CONNECTOR
191040	FRAME F.THERMOSTAT KNOB
200105	RUBBER HOSE 50X60
200353	PRESS.SWITCH HOSE B23-10-1-2-C
200410	DRAIN OUTL.WASH.1 1/2"65X47X2
200412	GASKET DRAIN 11/2" 45X33X3
200415	AIR TRAP GASKET -F2 18,5X10X3
200815	O-RING F. HEAT.ELEM.
260407	STAINLESS STEEL NUTS D10 UNI 5
270101	HEXAGON LOCK NUT 1/2"
330725	STANDARD BRACKET F.SOLEN.VALV
341243	SHAFT FOR SNL/AC90 OVERFLOW
350774	BRACKET
450125	ELASTIC CLAMP D. 10,4X9,8
450135	CLAMP FE ZN. 44-56 H=12,2
450315	KNOB F. THERMOSTAT 90°
450516	THERMOSTAT SHIELD FOR 2 TERMOS
460502	GASKET 30X21X2

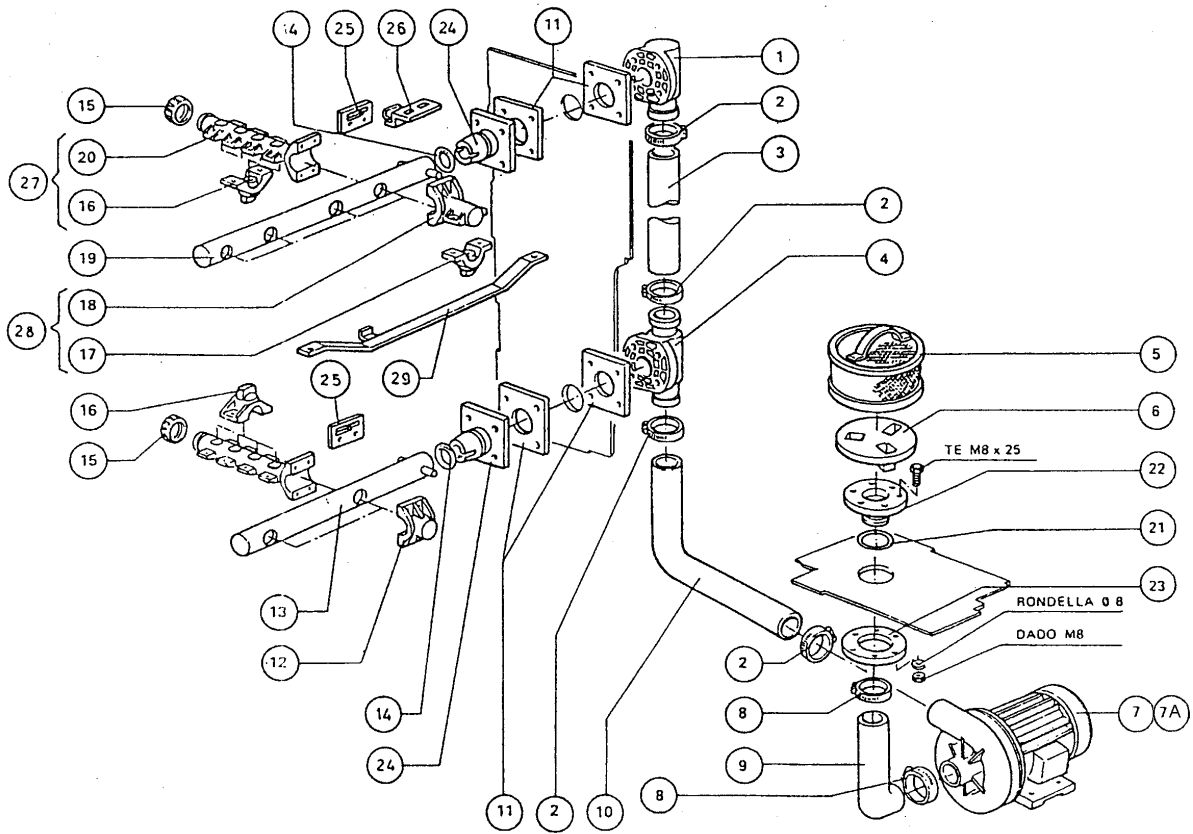
8 - Prewash Column



8 - Prewash Column

CODE	DESCRIPTION
100386	PUMP HP 1,5 220/380/50 1219
100603	PUMP HP 1,5 240/3 (100386)
160724	PLUG F. WASH ARM S90
170612	SHORT WASH ARM S90-S2900
170630	UPPER PRE-WASH ARM ASSEMBLY S2
170631	LOWER PRE-WASH ARM ASSEMB.LEFT
170632	LOWER RIGHT PRE-WASH ARM ASSEM
170909	TRANSVERS. WASH NOZZLE
170953	PRE-WASH JET S NL
180203	SUCTION FLANGE 130 N S
180204	COUNTERFLANGE D.130 SUCTION N
180232	WASH ARM FLANGE SNL
180406	T-CONNECTOR F. WASHING S90-SNL
180407	ELBOW S90 S N L
191012	VOTEX BREAKER S3ØN.L. G65
200105	RUBBER HOSE 50X60
200368	OUTLET HOSE S90-S N L
200428	GASKET 100X100X3 NEOTEN
200753	OUTLET HOSE PRE-WASHING SNL
200807	O-RING 3,53 X 110,72
200830	O-RING 37,3X44,5X3,6
320687	BRACKET
320688	SUPPORT FOR S/AC WASHARM
330565	FILTER 185X100H SE NE SNL
331464	SUPPORT FOR UPPER WASH ARM
331532	LOWER WASH ARM AC91/101
331533	UPPER WASH ARM AC91/101
450109	CLAMP 50-65
450119	CLAMP FE ZN. 58-75 H=12,2

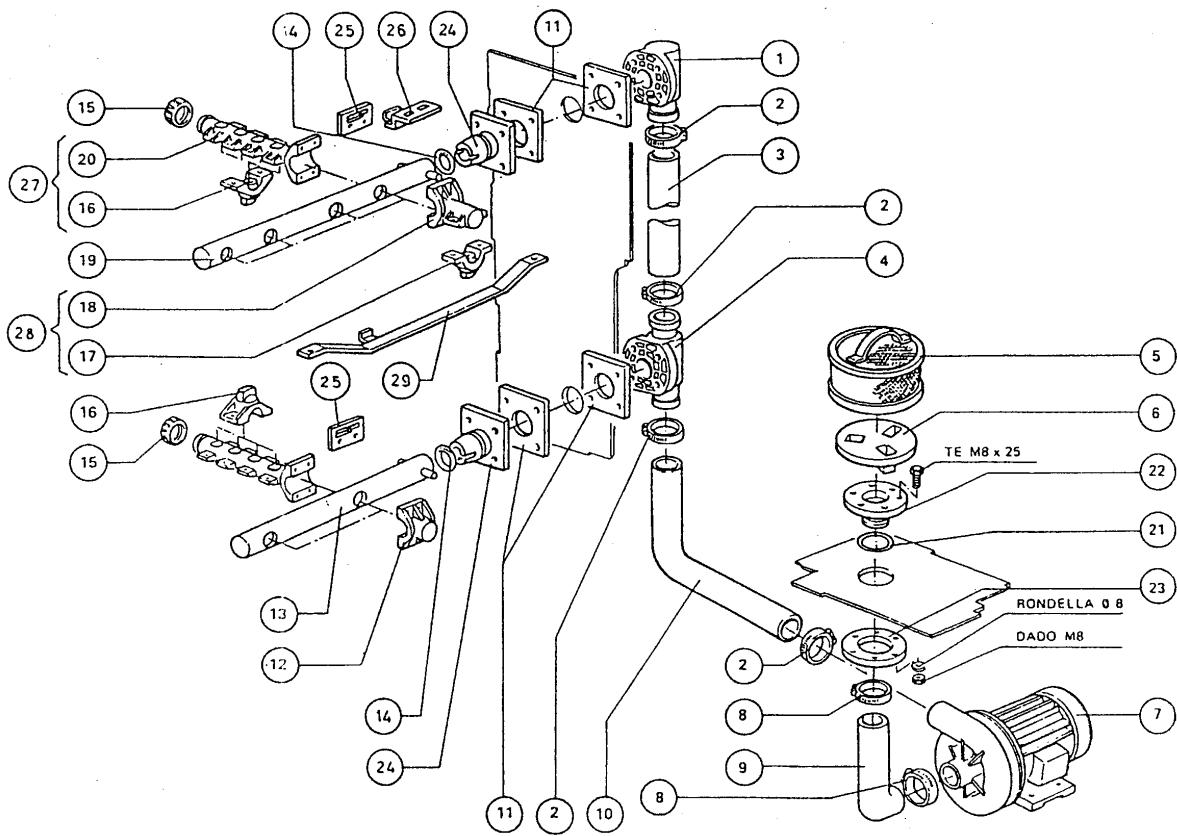
9 - Wash Column



9 - Wash Column

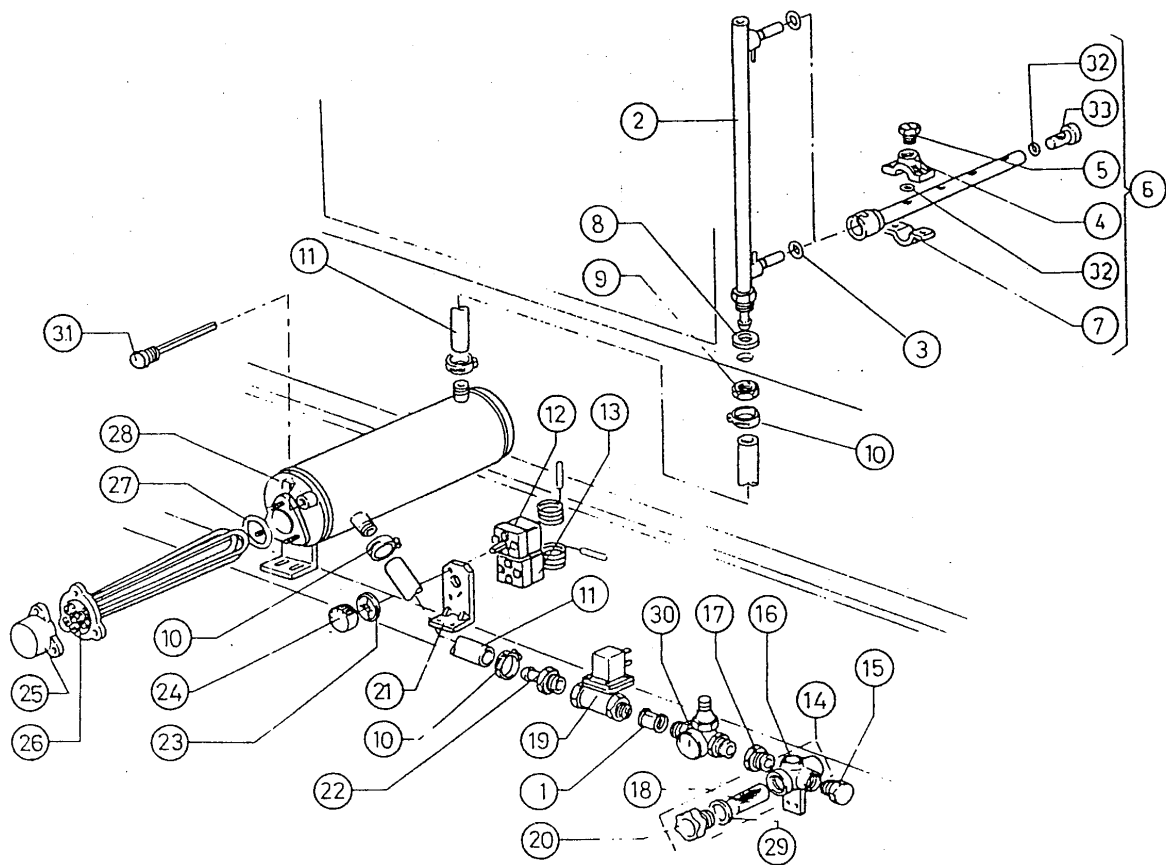
CODE	DESCRIPTION
100361	PUMP HP 2-220/380-50HZ-120404
100380	PUMP HP2 415/3-1204 (100361)
160724	PLUG F. WASH ARM S90
160805	GASKET D.8
170611	LONG WASH ARM S90 -S N L
170612	SHORT WASH ARM S90-S2900
170628	WASH ARM ASSEMBLY S1600
170629	SHORT WASH ARM ASSEMBLY
170909	TRANSVERS. WASH NOZZLE
170921	AXIAL WASH NOZZLE D 35
180204	COUNTERFLANGE D.130 SUCTION N
180207	SUCTION FLANGE C33/34
180216	WASH ARM COUNTERFLANGE S90-S N
180232	WASH ARM FLANGE SNL
180406	T-CONNECTOR F. WASHING S90-SNL
180407	ELBOW S90 S N L
191012	VOTEX BREAKER S3ØN.L. G65
200105	RUBBER HOSE 50X60
200368	OUTLET HOSE S90-S N L
200428	GASKET 100X100X3 NEOTEN
200745	INLET HOSE WASH. SNL
200830	O-RING 37,3X44,5X3,6
320688	SUPPORT FOR S/AC WASHARM
321057	LOWER WASH ARM SUPPORT
330565	FILTER 185X100H SE NE SNL
331464	SUPPORT FOR UPPER WASH ARM
331531	UPPER WASH ARM SNL
331532	LOWER WASH ARM AC91/101
450109	CLAMP 50-65
450119	CLAMP FE ZN. 58-75 H=12,2

10 - Wash Column



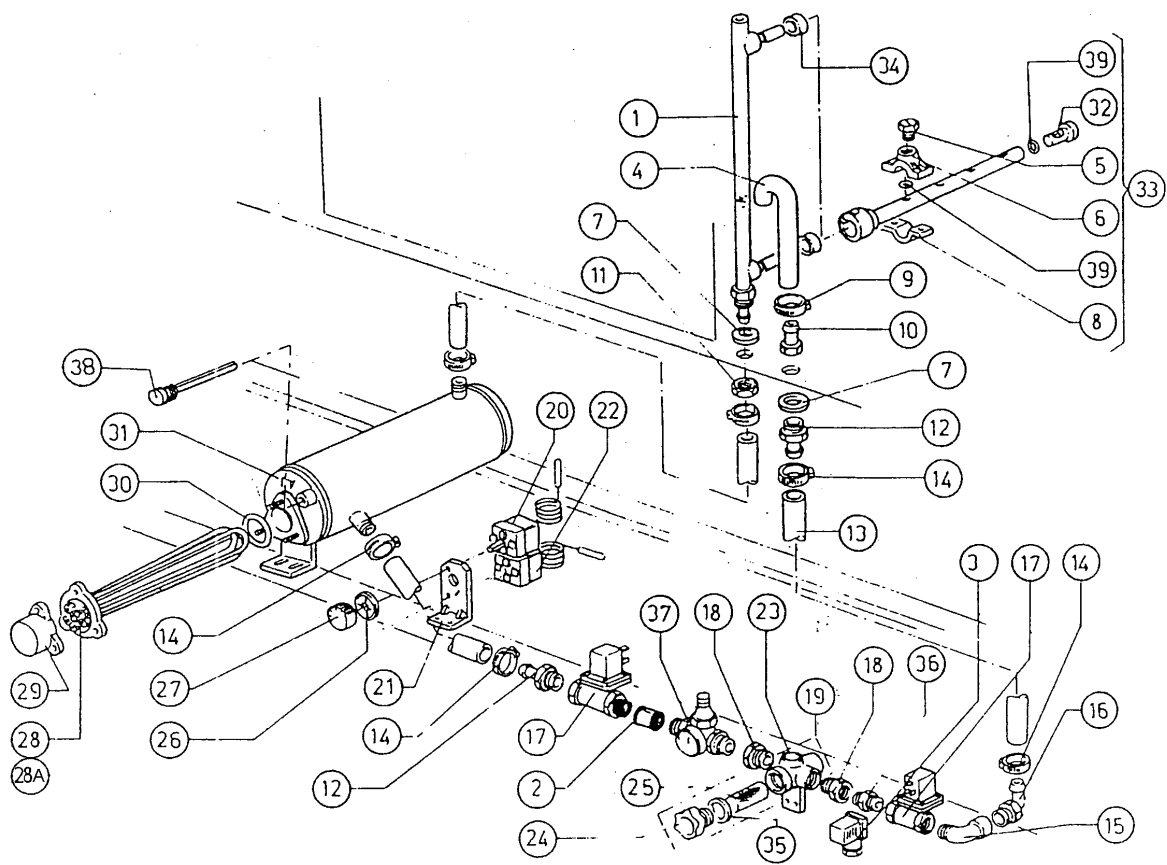
10 - Wash Column

CODE	DESCRIPTION
100674	PUMP HP 3 V.220-415-50HZ-1205
160724	PLUG F. WASH ARM S90
160805	GASKET D.8
170611	LONG WASH ARM S90 -S N L
170612	SHORT WASH ARM S90-S2900
170628	WASH ARM ASSEMBLY S1600
170629	SHORT WASH ARM ASSEMBLY
170909	TRANSVERS. WASH NOZZLE
170921	AXIAL WASH NOZZLE D 35
180204	COUNTERFLANGE D.130 SUCTION N
180207	SUCTION FLANGE C33/34
180216	WASH ARM COUNTERFLANGE S90-S N
180232	WASH ARM FLANGE SNL
180406	T-CONNECTOR F. WASHING S90-SNL
180407	ELBOW S90 S N L
191012	VOTEX BREAKER S3ØN.L. G65
200105	RUBBER HOSE 50X60
200368	OUTLET HOSE S90-S N L
200428	GASKET 100X100X3 NEOTEN
200745	INLET HOSE WASH. SNL
200830	O-RING 37,3X44,5X3,6
320688	SUPPORT FOR S/AC WASHARM
321057	LOWER WASH ARM SUPPORT
330565	FILTER 185X100H SE NE SNL
331464	SUPPORT FOR UPPER WASH ARM
331531	UPPER WASH ARM SNL
331532	LOWER WASH ARM AC91/101
450109	CLAMP 50-65
450119	CLAMP FE ZN. 58-75 H=12,2

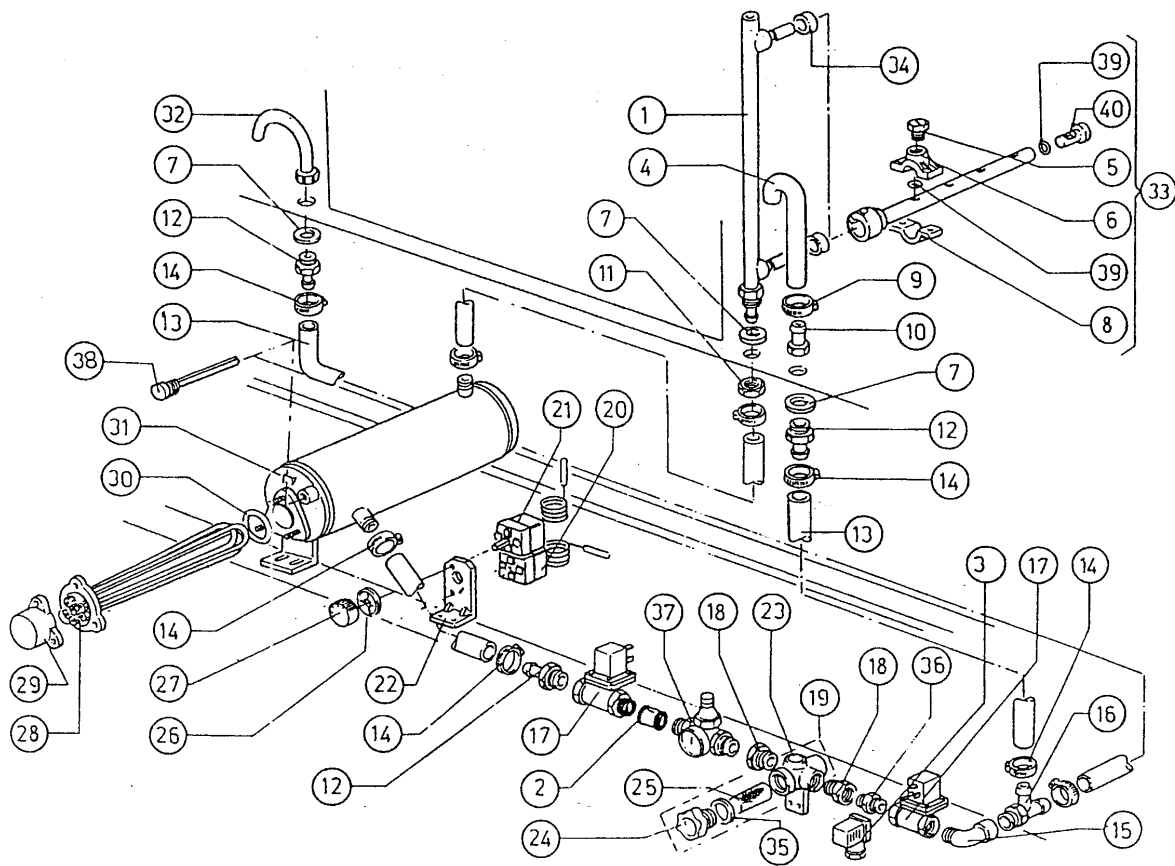


11 - Rinse

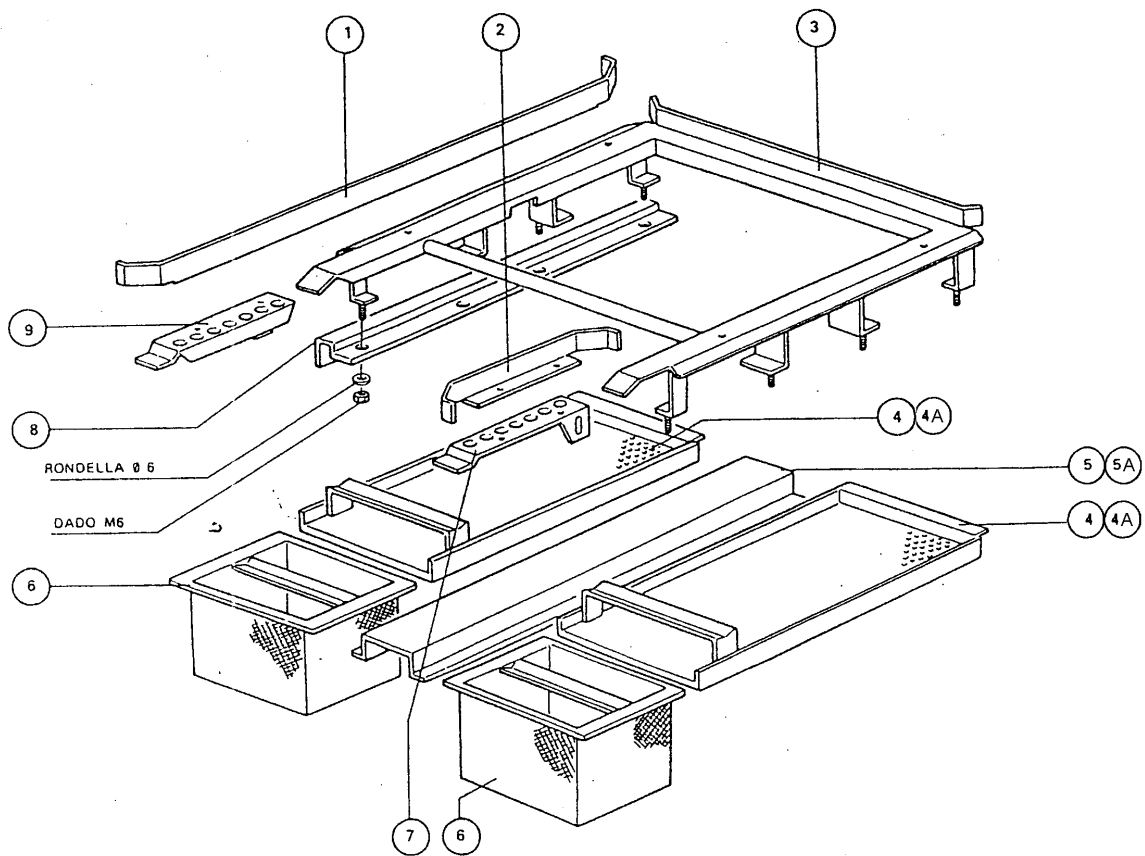
CODE	DESCRIPTION
110386	HEAT.ELEMENT14KW 230/400V
120168	2-WAY SOLENOI VALVE 24V
120501	THERMOSTAT 30/90ØC
120519	SECURITY THERMOSTAT 95-125Ø
160709	KNOB OF MANIFOLD F. SOLEN. VAL
160754	PLUG FOR RINSE ARMS SE NE
161102	ELEMENT COVER MOPL.
170926	RINSE JET HOLDER S-SE-NE
180213	FLANGE F.JET LOCKING F2-C34
191040	FRAME F.THERMOSTAT KNOB
200122	HOSE 11X19
200480	GASKET F. RINSE CONNECT.
200815	O-RING F. HEAT.ELEM.
200818	O-RING 1,78 X 6,75 X 10,31
200824	O-RING 1,78X12,42X15,98
250502	ELBOW 3/4" ST/ST
270101	HEXAGON LOCK NUT 1/2"
281102	1/2" ADJ VALVE C/W GAUGE TYPE
290105	BRASS-TE-PLUG 1/2"
290215	1/2"BSP M/F UNION BRASS
290410	NIPPLE 1/2"
330339	BOILER D.220X640 F.TWO HEAT.EL
330526	FILTERS 22X28 SOLENOID V.MANIF
330754	BRACKET F.2 THERMOSTATS
380324	RINSE JETS 52,5 80Ø OV1/8"
430136	RINSE ARM S-SE-SE/1
430413	RINSE COLUMN SE-ACR
450104	CLAMP FE ZN H=12,5 15-24
450315	KNOB F. THERMOSTAT 90Ø
450516	THERMOSTAT SHIELD FOR 2 TERMOS
460502	GASKET 30X21X2
510285	SOLENOID VALVE MANIFOLD - BRAS
620121	TWIN SOLENOID VALVE MANIFOLD



CODE	DESCRIPTION
110349	HEAT.ELEMENT 6000W 230/400V
110362	HEAT.ELEMENT 9000W 220/380V
120141	SOLE.N.VALVE METAL.328000 D.1/2
120501	THERMOSTAT 30/90°C
120519	SECURITY THERMOSTAT 95-125°
150034	CONNEC.F.SOLEN.VALVE 122.09.N
160709	KNOB OF MANIFOLD F. SOLEN. VAL
160754	PLUG FOR RINSE ARMS SE NE
161102	ELEMENT COVER MOPL.
170926	RINSE JET HOLDER S-SE-NE
180213	FLANGE F.JET LOCKING F2-C34
191040	FRAME F.THERMOSTAT KNOB
200122	HOSE 11X19
200301	HOSE FOR TANK INLET N-S
200480	GASKET F. RINSE CONNECT.
200815	O-RING F. HEAT.ELEM.
200818	O-RING 1,78 X 6,75 X 10,31
200824	O-RING 1,78X12,42X15,98
250502	ELBOW 3/4" ST/ST
270101	HEXAGON LOCK NUT 1/2"
280115	ELL 1/2"
280504	MANIFOLD CONN.HOSE
281102	1/2" ADJ VALVE C/W GAUGE TYPE
290215	1/2"BSP M/F UNION BRASS
290402	NIPPLE F.1/2" BRASS
290410	NIPPLE 1/2"
330339	BOILER D.220X640 F.TWO HEAT.EL
330526	FILTERS 22X28 SOLENOID V.MANIF
330754	BRACKET F.2 THERMOSTATS
380324	RINSE JETS 52,5 80° OV1/8"
430136	RINSE ARM S-SE-SE/1
430413	RINSE COLUMN SE-ACR
450101	STAINLESS STEEL CLAMP 15-24 H=
450104	CLAMP FE ZN H=12,5 15-24
450315	KNOB F. THERMOSTAT 90°
450516	THERMOSTAT SHIELD FOR 2 TERMOS
460502	GASKET 30X21X2
510285	SOLENOID VALVE MANIFOLD - BRAS
510403	CONNECT.HOSE 90°1/2"X12
620121	TWIN SOLENOID VALVE MANIFOLD

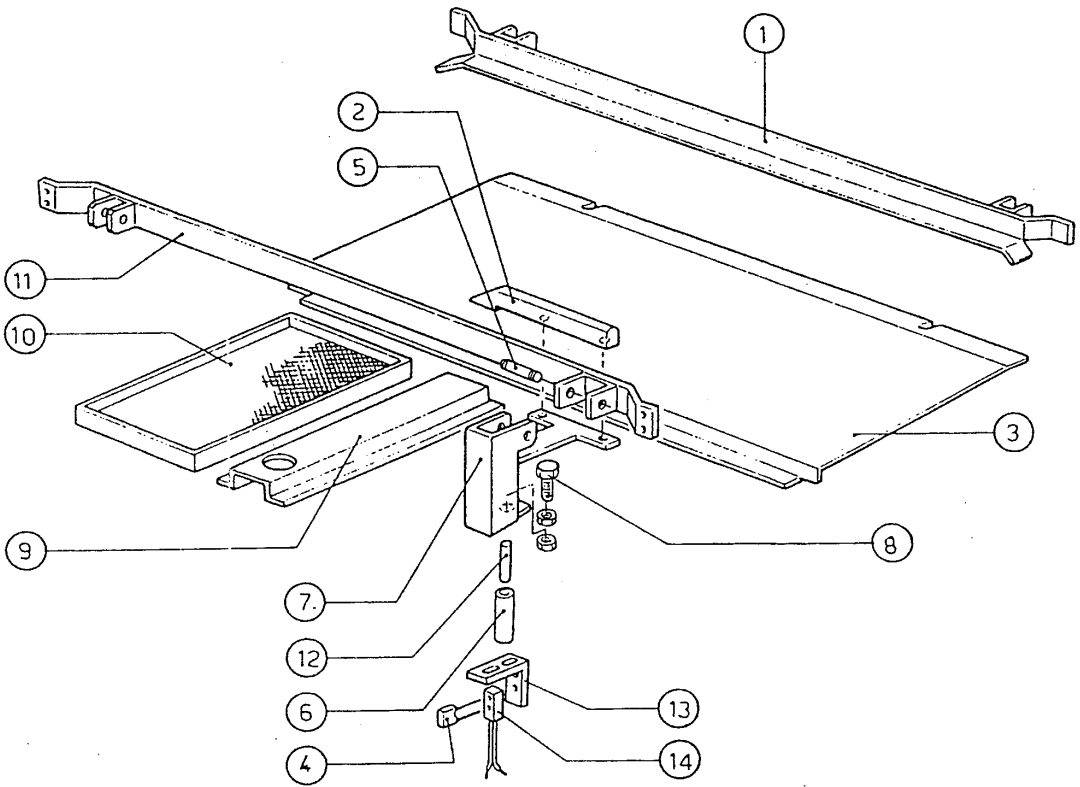


CODE	DESCRIPTION
110343	HEAT.ELEM. 8000W 220/380V
120141	SOLEN.VALVE METAL.328000 D.1/2
120501	THERMOSTAT 30/90°C
120519	SECURITY THERMOSTAT 95-125°
150034	CONNEC.F.SOLEN.VALVE 122.09.N
160709	KNOB OF MANIFOLD F. SOLEN. VAL
160754	PLUG FOR RINSE ARMS SE NE
161102	ELEMENT COVER MOPL.
170926	RINSE JET HOLDER S-SE-NE
180213	FLANGE F.JET LOCKING F2-C34
191040	FRAME F.THERMOSTAT KNOB
200122	HOSE 11X19
200301	HOSE FOR TANK INLET N-S
200480	GASKET F. RINSE CONNECT.
200815	O-RING F. HEAT.ELEM.
200818	O-RING 1,78 X 6,75 X 10,31
200824	O-RING 1,78X12,42X15,98
250502	ELBOW 3/4" ST/ST
270101	HEXAGON LOCK NUT 1/2"
280115	ELL 1/2"
280504	MANIFOLD CONN.HOSE
281102	1/2" ADJ VALVE C/W GAUGE TYPE
290215	1/2"BSP M/F UNION BRASS
290402	NIPPLE F.1/2" BRASS
290410	NIPPLE 1/2"
330339	BOILER D.220X640 F.TWO HEAT.EL
330526	FILTERS 22X28 SOLENOID V.MANIF
330754	BRACKET F.2 THERMOSTATS
331354	TANK FILL TUBE S3Ø-S2900
380324	RINSE JETS 52,5 80Ø OV1/8"
430136	RINSE ARM S-SE-SE/1
430413	RINSE COLUMN SE-ACR
450101	STAINLESS STEEL CLAMP 15-24 H=
450104	CLAMP FE ZN H=12,5 15-24
450315	KNOB F. THERMOSTAT 90°
450516	THERMOSTAT SHIELD FOR 2 TERMOS
460502	GASKET 30X21X2
510285	SOLENOID VALVE MANIFOLD - BRAS
510404	"T" CONNECTION HOSE 1/2"
620121	TWIN SOLENOID VALVE MANIFOLD



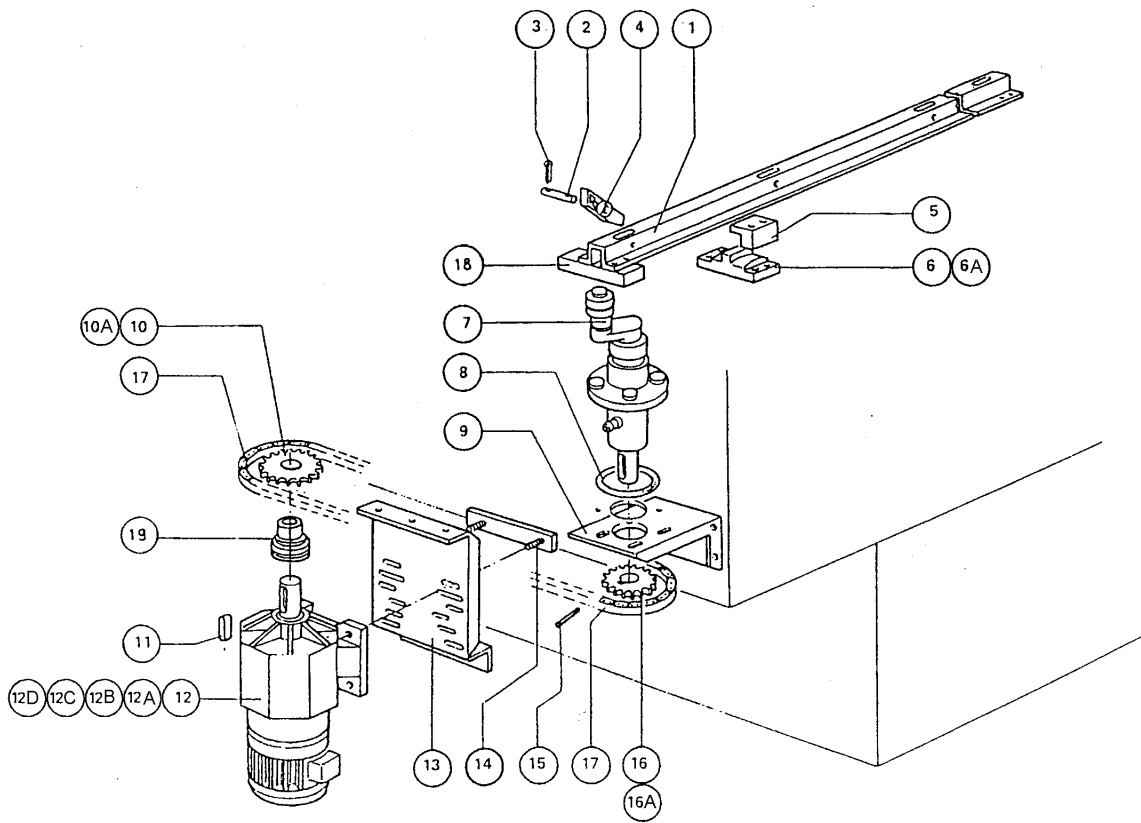
14 - Guides - prewash

CODE	DESCRIPTION
321046	SUPPORT
321067	SUPPORT
321766	GUIDE
321767	SUPPORT
321768	SUPPORT
321769	LEFT RACK GUIDE S2900A
321770	RIGHT RACK GUIDE AC182A
330409	PREWASHFILTER S2900A
330557	FLAT FILTER PRE-WASH.SE
330561	FILTER DRAWER PRE-WASH.S2900-S
350816	SUPPORT



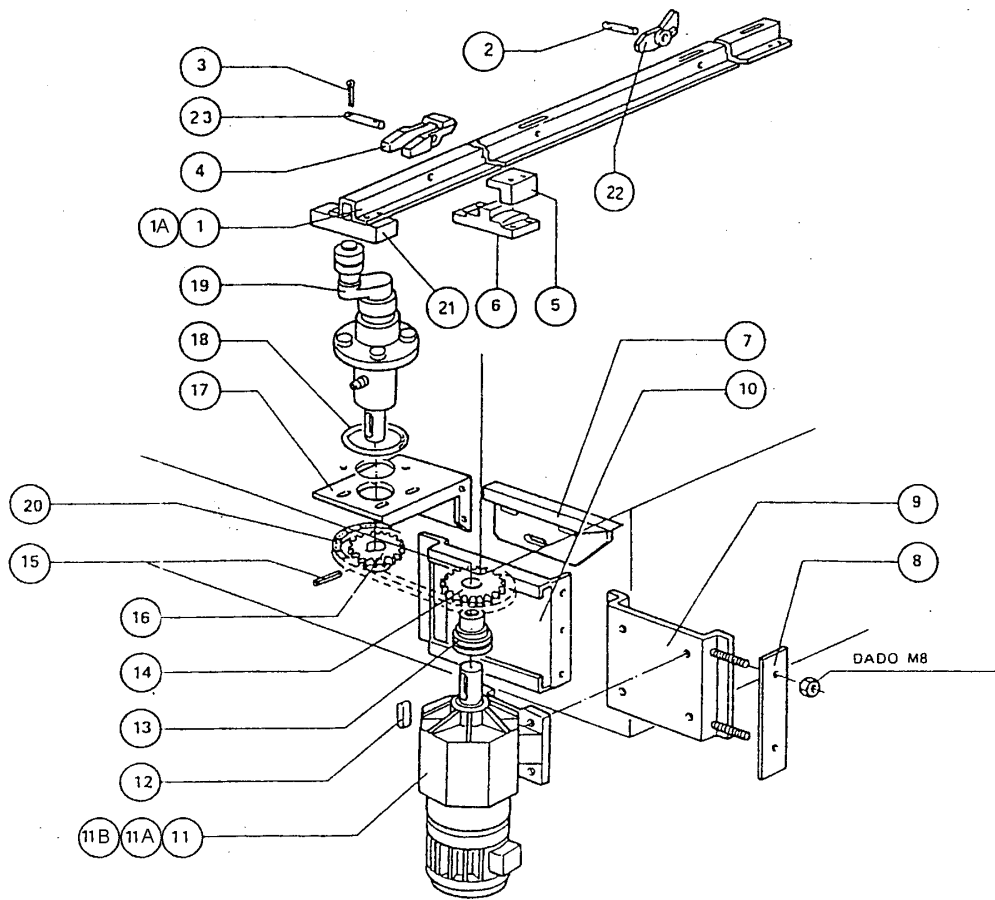
15 - Rack guides

CODE	DESCRIPTION
120342	DOR MAGNETIC SWITCH
191019	MAGNET HOUSING S90 MOPL.-S.N.L
191051	SLIDING PAD SE SNL ECONOMIZER
260130	SCREW TE 10X50 S/S
320698	LEVER FOR ECONOMIZER SE SNL
321054	SUPPORT
321764	GUIDE
321947	GUIDE
330410	-SCIVOLO PER LAV.S2200-2900***
330555	WASH FILTER SE-S2200-2900
331455	BRACKET FOR RINSE MICROSWITCH
341255	PIN FOR ECONOMIZER SE SNL
411001	PERMANENT MAGNET 8X40
631213	CAPACITOR 0,1MF



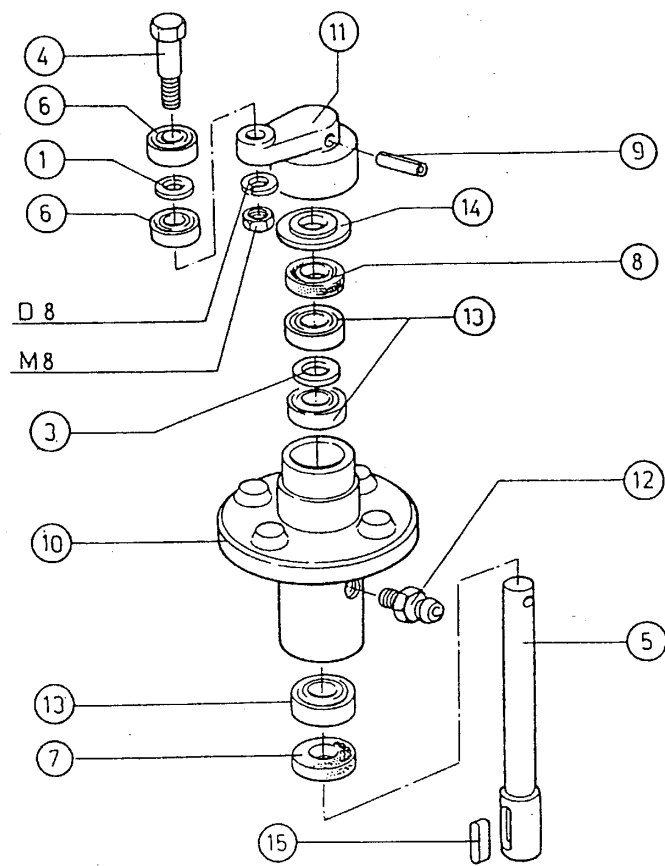
16 - Drive unit

CODE	DESCRIPTION
100220	DRIVE MOTOR KW0,12-220/380V/50
100224	DRIVE MOTOR 0,12KW
100245	DRIVE MOTOR 220/3 (100246)
100246	DRIVE KW 0,1-0,15 380/3
100247	DRIVE KW 0,1-0,15 415/3 SK01-7
170312	SUPPORT F.PAWL BAR GUIDE S90-
170324	GUIDE SUPPORT SE-S2200-290
190620	CLAMPING PIECES S 3
200803	OR GASKET 3,53X98,02X105,08
320638	PIASTRA BLOCC. MTR S90 S1600
320639	PLATE
320640	PIASTRA SUPP.TRAINO-SNL/AC
320969	RAIL
340263	CHANNEL FOR BEARING S90-S NEW
340479	PAWL PINS SNL-SE
410225	TURNED PINION Z22-1/2"-D.20
410227	TURNED PINION Z16-1/2"-D.20
410232	TURNED PINION Z25-1/2"-D.20
410312	CROWN DISCS 22T
410407	TORQUE LIMITER LC 1
410801	DRIVE CHAIN 1/2" N-S
441122	DRIVE SHAFT KEY 6X6X25 UNI 660
451002	COTTER PIN STAINL.ST. D2X12
451119	ELASTIC PIN 6X36
510414	NICKEL-PLATED PAWL SNL-SE
620144	DRIVE ASSEMBLY



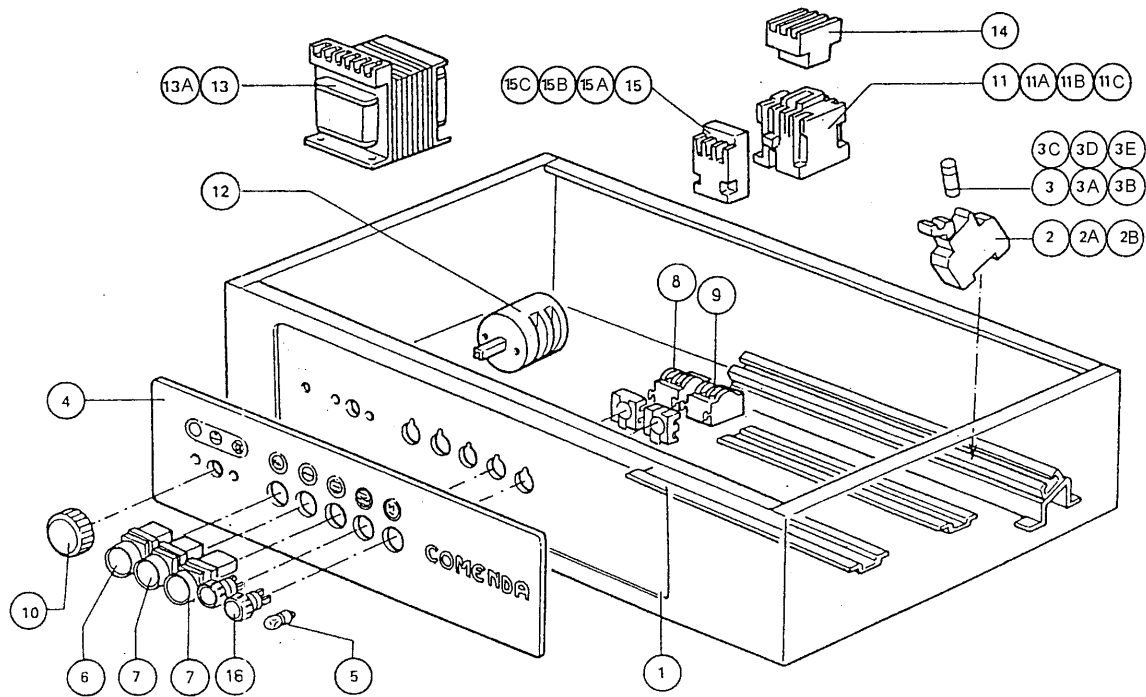
17 - Drive unit

CODE	DESCRIPTION
100245	DRIVE MOTOR 220/3 (100246)
100246	DRIVE KW 0,1-0,15 380/3
100247	DRIVE KW 0,1-0,15 415/3 SK01-7
170324	GUIDE SUPPORT SE-S2200-290
190620	CLAMPING PIECES S 3
200803	OR GASKET 3,53X98,02X105,08
320640	PIASTRA SUPP.TRAINO-SNL/AC
320681	HANDLE
321771	GUIDE
321781	PAWL BAR GUIDE
340263	CHANNEL FOR BEARING S90-S NEW
340462	SHORT TRAY CARRIER PIN GM-S290
340479	PAWL PINS SNL-SE
341321	SUPPORT
341334	-GUIDA X SLITTA MTR.S2200-2900
341335	-SLITTA PER MTR S2200-2900
410227	TURNED PINION Z16-1/2"-D.20
410312	CROWN DISCS 22T
410407	TORQUE LIMITER LC 1
410801	DRIVE CHAIN 1/2" N-S
441122	DRIVE SHAFT KEY 6X6X25 UNI 660
451002	COTTER PIN STAINL.ST. D2X12
451119	ELASTIC PIN 6X36
510231	PAWL /CORNER LOAD.
510414	NICKEL-PLATED PAWL SNL-SE
620144	DRIVE ASSEMBLY



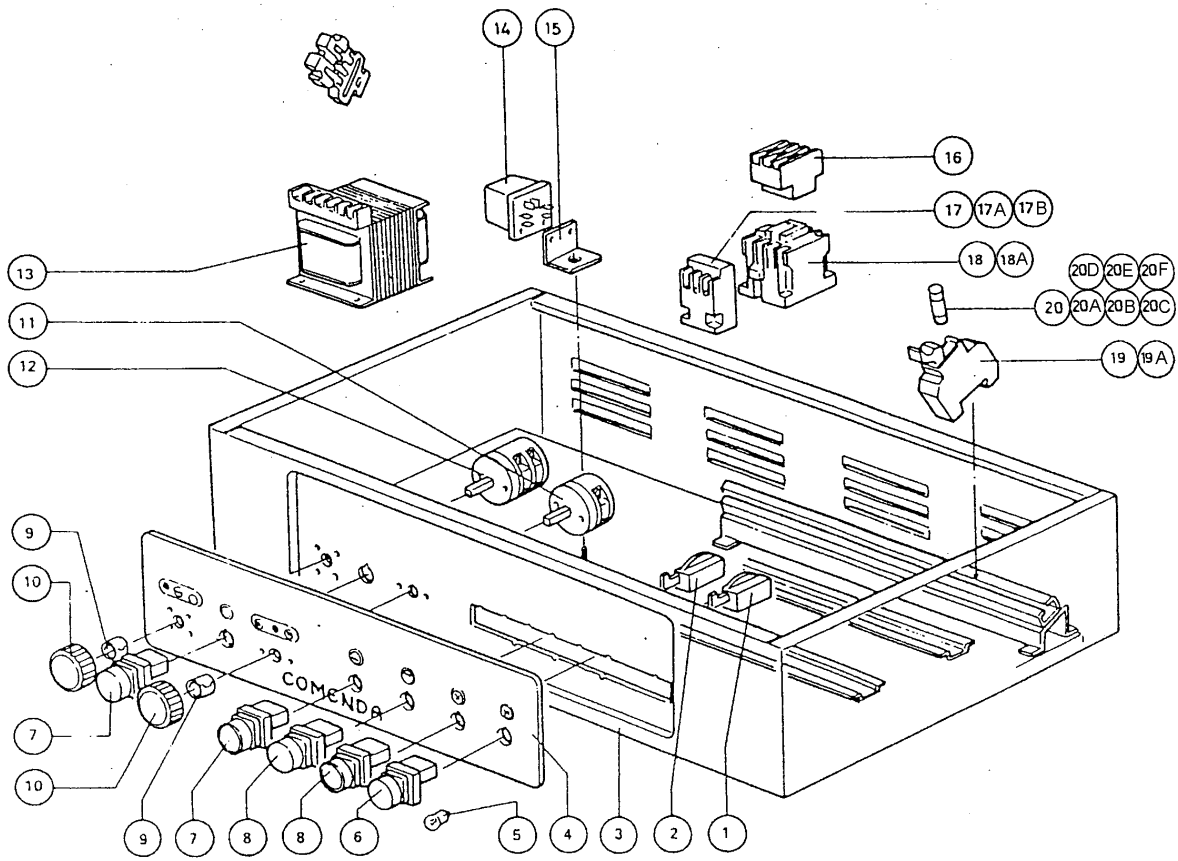
18 - Drive unit

CODE	DESCRIPTION
260532	SLIDING WASHER S3ØSTAINLESS ST
290813	PACKING PIECES BRASS S-F2
290817	BRASS DISTANCE PIECE 24X14
340443	CRANK SHOULDER PIN
340494	DRIVE SHAFT S 3Ø
410115	BALL BEARING 32X12X10 B23/S/S9
410120	BALL BEARING 17X35X10
440407	SEAL MIM 20X35X7
440408	SEAL MIM 17X35X7
441122	DRIVE SHAFT KEY 6X6X25 UNI 660
451121	ELAST.ROLL PINS 6X30
510298	DRIVE HOUSING S 3Ø
510299	NICKELPLATED BRASS DRIVE CRANK
631701	GREASE NIPPLE 9003



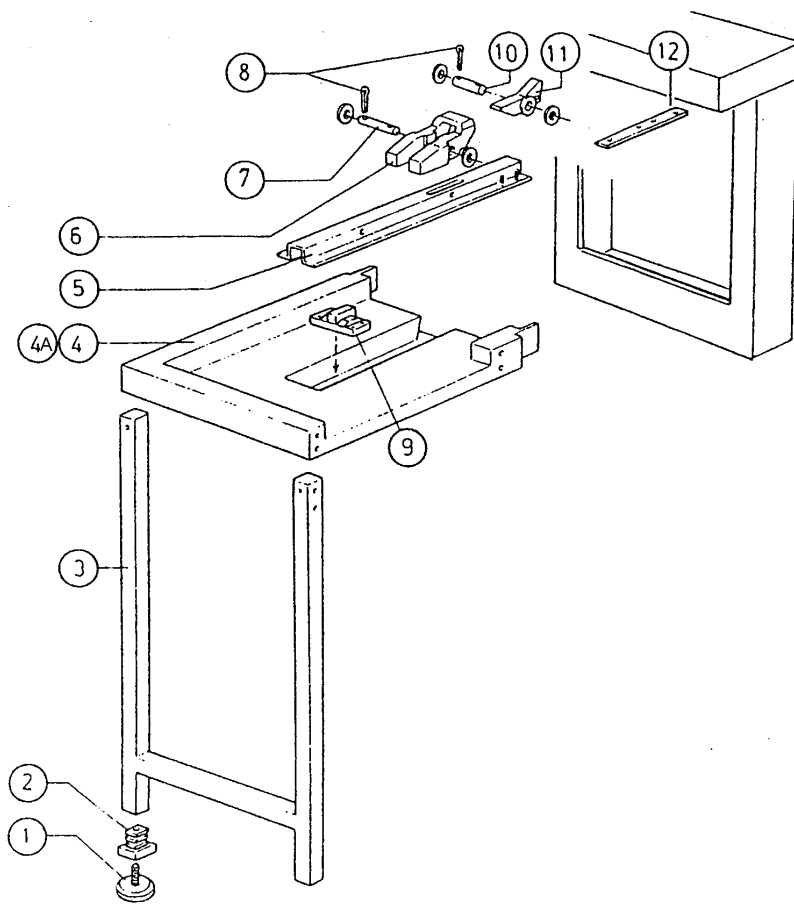
19 - Control Box

CODE	DESCRIPTION
120428	CONTACTOR 9A 24V 50HZ
120431	CONTACTOR 40A 24V 50HZ
120433	CONTACTOR 63A 24V 50HZ
120438	CONTACTOR 12A 220V 50HZ
120608	TRANSFORMER 150VA220-240-380-4
120632	TRANSFORMER 250VA220-240-380-4
120715	MAIN SWITCH 16A 4 POLES
120820	OVERLOAD RELAY 0,63-1A
120824	OVERLOAD RELAY 4/6 A
120825	OVERLOAD RELAY 5,5/8 A
120830	OVERLOAD RELAY 0,40 - 0,63 A
130138	LIGHT WITH BAYONET COUPLING 3W
130230	FUSE 10,3X38 4A AM13004
130231	FUSE 10,3X38 6A AM13006
130232	FUSE 10.3X38 8A AM13008
130234	FUSE 10.3X38 12A AM13012
130237	FUSE 14X51 32A GL14332
130247	FUSE 10.3X38 16A GF13316
130410	STOP CONTACT F40 CN RED
130411	START CONTACT YELLOW
130413	GREEN PUSH BUTTON
130910	CONTACT LA1 D20 A65
150105	LAMP RED D.22X5
150106	LAMP GREEN 22X5
150710	FUSE CARRIER 10,3X38 ART.21401
150711	FUSE CARRIER 14X51 ART.21501
150712	FUSE CARRIER 22X58 ART.21601
180111	BLACK KNOB
341366	SEE 321551
460849	FRONT PANEL



20 - Control Box

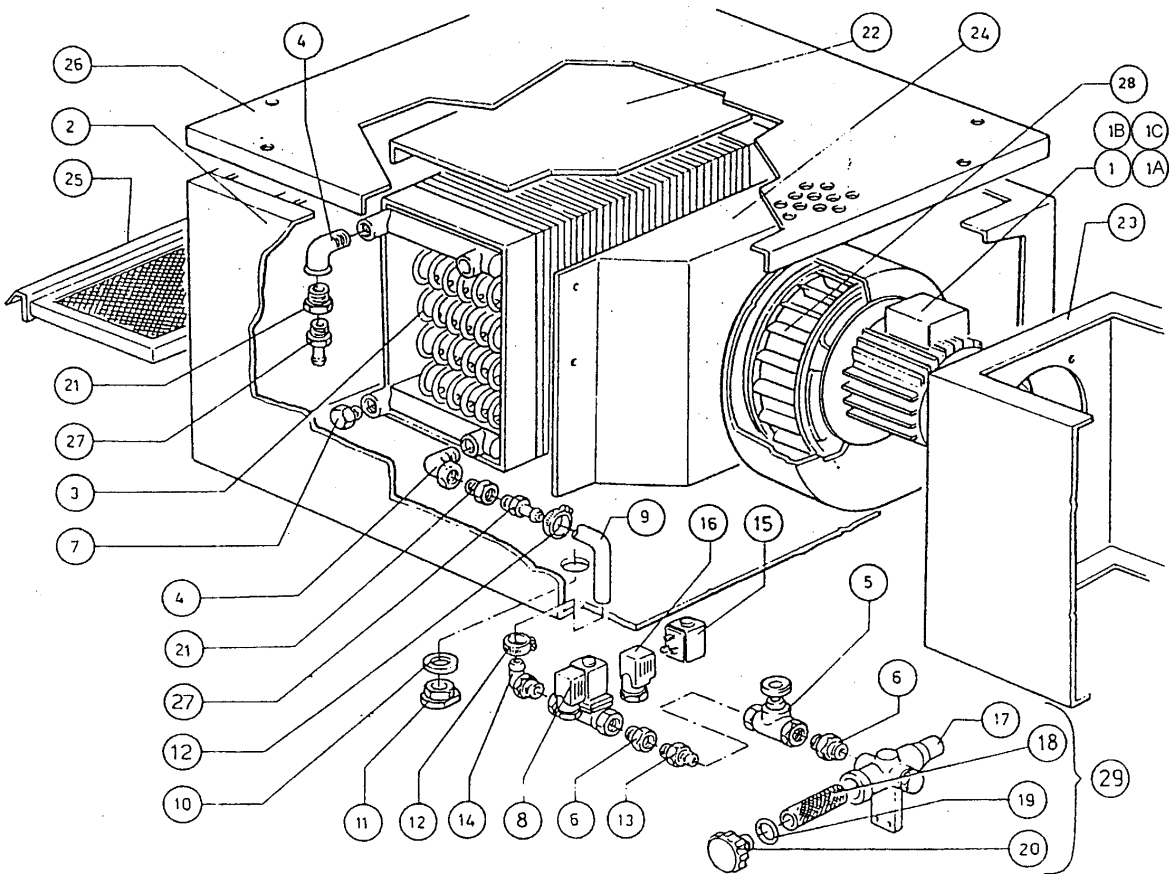
CODE	DESCRIPTION
110805	SWITCH THREEPOLE
120428	CONTACTOR 9A 24V 50HZ
120437	CONTACTOR 25A 24V 50HZ
120445	AUXILIARY RELAY S.B2/3 24V
120608	TRANSFORMER 150VA220-240-380-4
120718	SWITCH 25 AMP FOUR-POLE 500V
120820	OVERLOAD RELAY 0,63-1A
120823	OVERLOAD RELAY 2.5/4 A
120824	OVERLOAD RELAY 4/6 A
130138	LIGHT WITH BAYONET COUPLING 3W
130230	FUSE 10,3X38 4A AM13004
130231	FUSE 10,3X38 6A AM13006
130232	FUSE 10.3X38 8A AM13008
130236	FUSE 14X51 25A GF14325
130237	FUSE 14X51 32A GL14332
130238	FUSE 14X51 40A GF 14340
130247	FUSE 10.3X38 16A GF13316
130410	STOP CONTACT F40 CN RED
130411	START CONTACT YELLOW
130413	GREEN PUSH BUTTON
130911	CONTACT LA1 D40 A65
150106	LAMP GREEN 22X5
150107	TRANSPARENT LAMP 22X5
150710	FUSE CARRIER 10,3X38 ART.21401
150711	FUSE CARRIER 14X51 ART.21501
180120	BLACK KNOBS WITH SQUARE CONNE
321544	BOX FOR CONTROL PANEL
350796	BRACKET F. RELAY SUPPORT S
440817	SNAP RING LSCB/1853/17/00
460795	PLATE AC135/150



21 - Side Loading Table

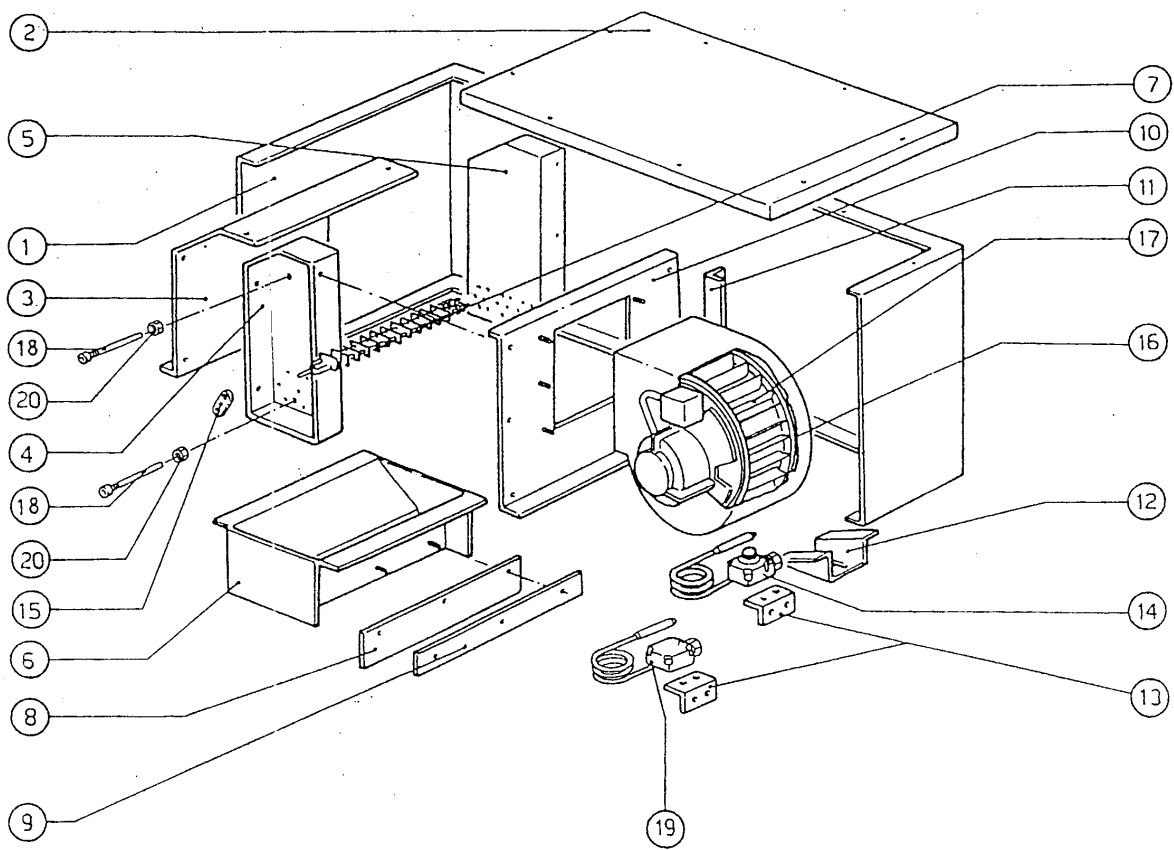
CODE	DESCRIPTION
160707	PLUG 30X30X1,5
170316	SUPPORT OF PAWL BAR GUIDE CO
320512	TABLES LEG
320684	BRACKET
320899	GUIDE
340462	SHORT TRAY CARRIER PIN GM-S290
340479	PAWL PINS SNL-SE
340546	CORNER ENTRY TABLE 600MM LEFT
340547	CORNER ENTRY TABLE 600MM RIGHT
440201	RUBBER FOOT D.60X10
451002	COTTER PIN STAINL.ST. D2X12
510231	PAWL /CORNER LOAD.
510414	NICKEL-PLATED PAWL SNL-SE

22 - Steam Condenser



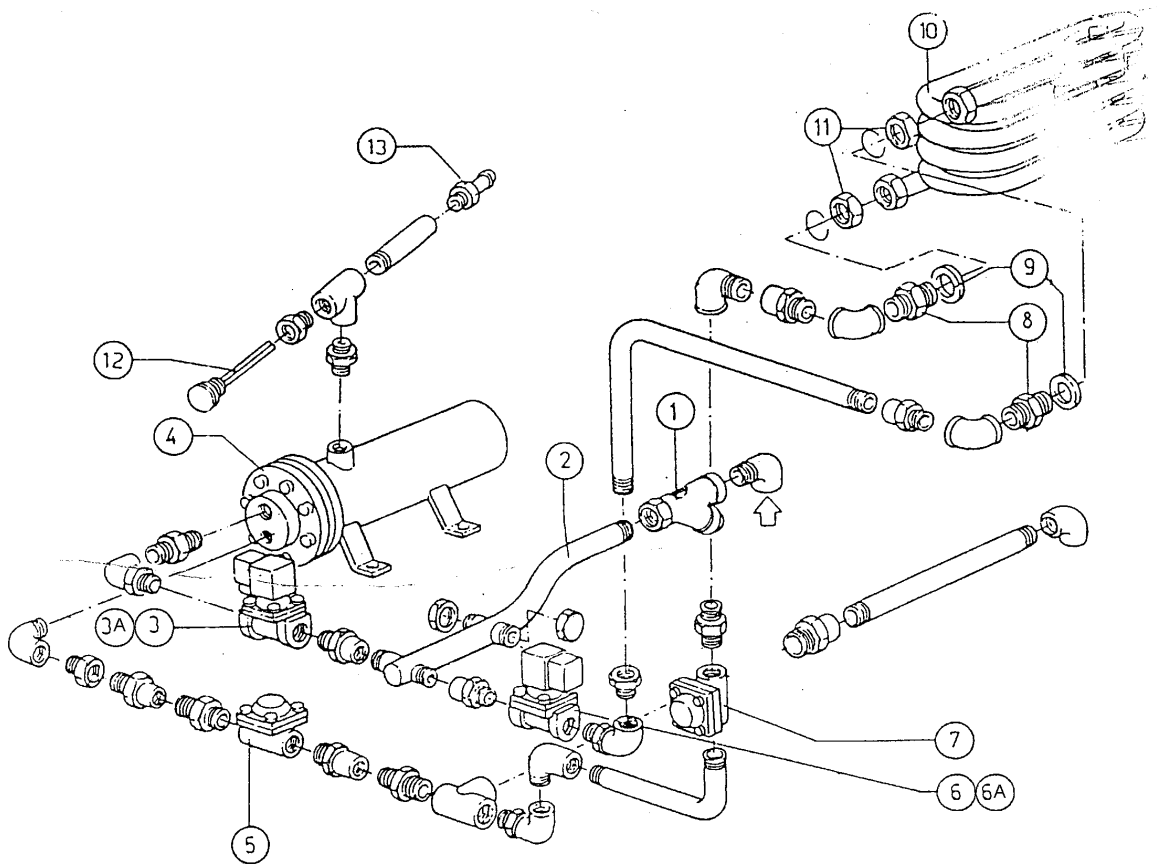
22 - Steam Condenser

CODE	DESCRIPTION
100509	FAN 0,75HP 220/415 V164/2
100515	FAN HP 0,75/240/415 (100509)
100523	FAN 0,75 HP 220/380V-60HZ
100526	FAN HP 0,75 255/440-60-VR184
120131	SOLEN. L182Q31-ZB10A 1/2"24V
150034	CONNEX.F.SOLEN.VALVE 122.09.N
160709	KNOB OF MANIFOLD F. SOLEN. VAL
200113	RUBBER HOSE 12 X 22
200814	O-RING 34,52X41,58X3,53
270301	BRASS NIPPLES 1/2"
280408	NUT
280601	GATE VALVE 1/2" BRASS
290215	1/2"BSP M/F UNION BRASS
290410	NIPPLE 1/2"
300410	ELL 3/4" MF
310302	NIPPLE 3/4"-1/2"
310402	PLUG 3/4"
320123	VORTEX BREAKER F.STEAM CONDENS
320335	TOP PANEL FOR STEAM CONDENSER
320336	TOP PANEL FOR STEAM CONDENSER
330526	FILTERS 22X28 SOLENOID V.MANIF
330549	CONDENSATE UNIT FILTER
340318	PANEL
370410	CONDENSER MODULE
400810	BATTERY (400817)
450104	CLAMP FE ZN H=12,5 15-24
460503	SEALING WASHER 38X27X2(3/4)
510285	SOLENOID VALVE MANIFOLD - BRAS
510407	NIPPLE FOR BOILER N S
620121	TWIN SOLENOID VALVE MANIFOLD
630301	FAN IMPELLOR FOR 100509
630948	COIL Z610A 24V 50/60-L180V01



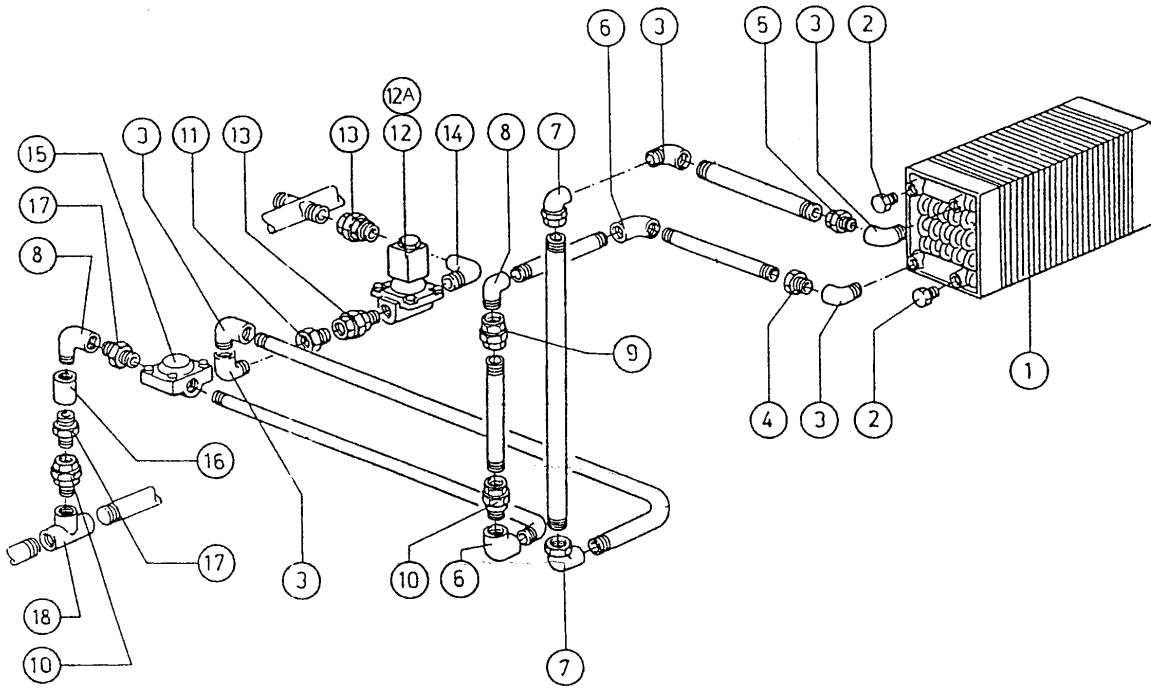
23 - Blower Dryer

CODE	DESCRIPTION
100533	FAN HP 1 220-240-380-415V VRP2
110704	HEAT.ELEMENT/DRYING 1000W 220V
120512	THERMOSTAT IM50/210Ø
120520	SECURITY THERMOSTAT 110-130Ø
140101	BRASS CONNECT. PLATE HEAT.ELEM
190915	FIXING PLATE
270101	HEXAGON LOCK NUT 1/2"
320138	DEFLECTOR F. DRYER
320357	DRYER COVER
320669	FIXING PLATE
331459	BRACKET FOR DRYING VENTILATOR
331488	BRACKET
341340	LEFT SUPPORT
341341	RIGHT SUPPORT
341359	FAN SUPPORT
350737	BRACKET FOR CLOSED THERMOSTATS
360912	BACK PANEL
370414	DRYING MODULE
450515	STAINL.ST.SHIELD FOR 1 THERMOS
630321	FAN IMPELLOR FOR C 100533 1HP



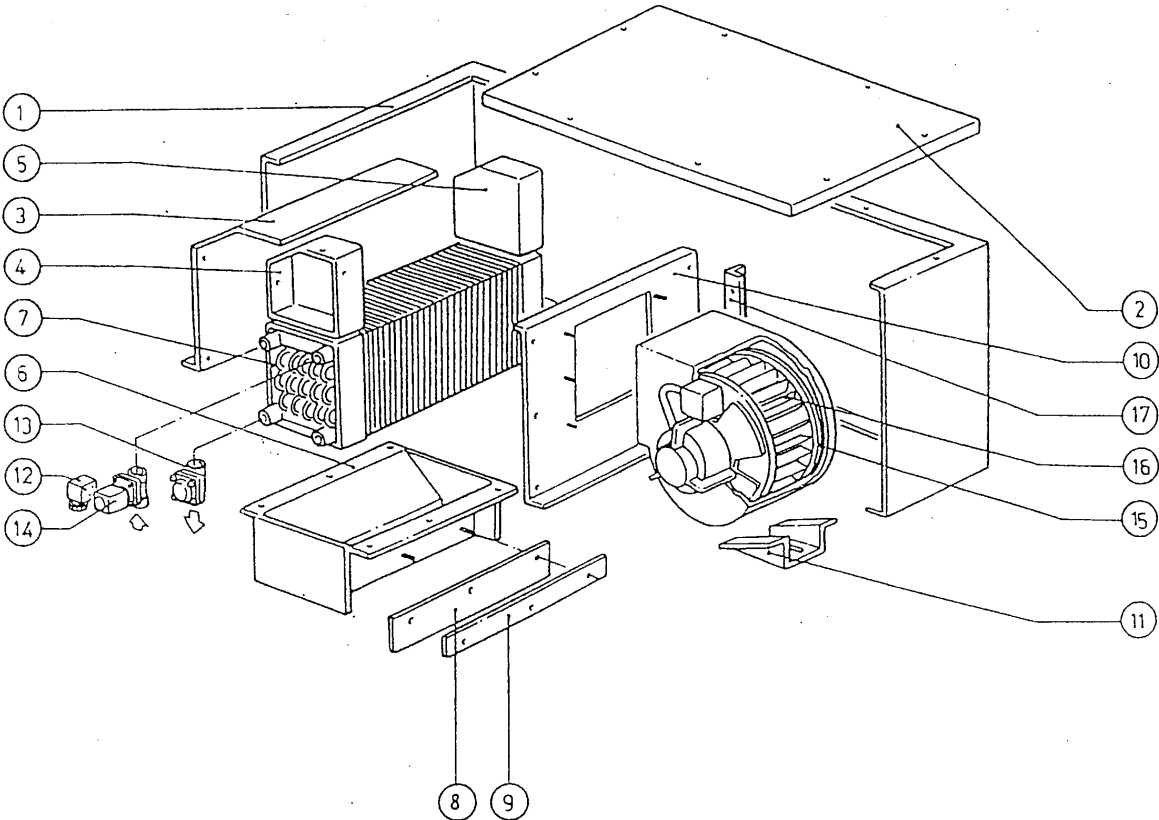
24 - Steam heated machine

CODE	DESCRIPTION
120107	STEAM SOLEN.VALVE 24V 3/4" 120
120108	SOLENOID V. STEAM 24V50HZ 1"G
120147	SOLENOID VALVE STEAM 3/4"
120148	STEAM SOLEN.VALVE 1" + CONNECT
240716	STEAM COIL G66-S3
270102	LOCK NUT 3/4"
280512	STEAM COIL CONNECTION
290409	NIPPLE 3/4"
310603	STRAINERS JU 1" MOD.45
310702	STEAM TRAP 1/2" MK 25/3
330313	STEAM BOILER 18000KCAL/H
400583	MANIFOLD
450516	THERMOSTAT SHIELD FOR 2 TERMOS
460503	SEALING WASHER 38X27X2(3/4)



25 - Steam for dryer

CODE	DESCRIPTION
120148	STEAM SOLEN.VALVE 1" + CONNECT
120153	SOLEN.VALVE
290118	BRASS TE PLUG 3/4"
300209	NIPPLE 1/2" C/ESA
300402	ELL FF 1/2"
300409	ELL MF 1/2"
300410	ELL 3/4" MF
300411	ELL 1"
300601	PIPE UNION 1/2"
300602	PIPE UNION 3/4"
300603	PIPE UNION MF 1"
300605	PIPE UNION 1/2" FF
300612	UNION ELL 3/4" F-F
300802	MANICOTTI LISCI 1/2"FEZN
300917	NIPPLE "T"
310302	NIPPLE 3/4"-1/2"
310303	NIPPLE 1"-3/4" MF
310702	STEAM TRAP 1/2" MK 25/3
400816	BATTERY FOR DRYING (6KW) S



26 - Steam Blower Dryer

CODE	DESCRIPTION
100533	FAN HP 1 220-240-380-415V VRP2
120108	SOLENOID V. STEAM 24V50HZ 1"G
150033	CONNEX.F.SOLEN.VALVE 182.09.N
190915	FIXING PLATE
310702	STEAM TRAP 1/2" MK 25/3
320138	DEFLECTOR F. DRYER
320357	DRYER COVER
320669	FIXING PLATE
331441	BRACKET FOR DRYING VENTILATOR
331488	BRACKET
341345	RIGHT PANEL
341346	LEFT PANEL
341359	FAN SUPPORT
360912	BACK PANEL
370414	DRYING MODULE
400816	BATTERY FOR DRYING (6KW) S
630321	FAN IMPELLOR FOR C 100533 1HP